



GIA DIAMOND DOSSIER®

August 7, 2008

Laser Inscription Registry..... **GIA 17409465**
 Shape and Cutting Style..... **Round Brilliant**
 Measurements **5.10- 5.16 x 3.13 mm**

GRADING RESULTS - GIA 4CS

Carat Weight..... **0.50 carat**
 Color Grade..... **G**
 Clarity Grade..... **VVS1**
 Cut Grade..... **Excellent**

ADDITIONAL GRADING INFORMATION

Clarity Characteristics..... **Feather**
 Finish
 Polish **Excellent**
 Symmetry **Excellent**
 Fluorescence..... **None**
 Additional Inscription: **H&A**

GIA REPORT 17409465

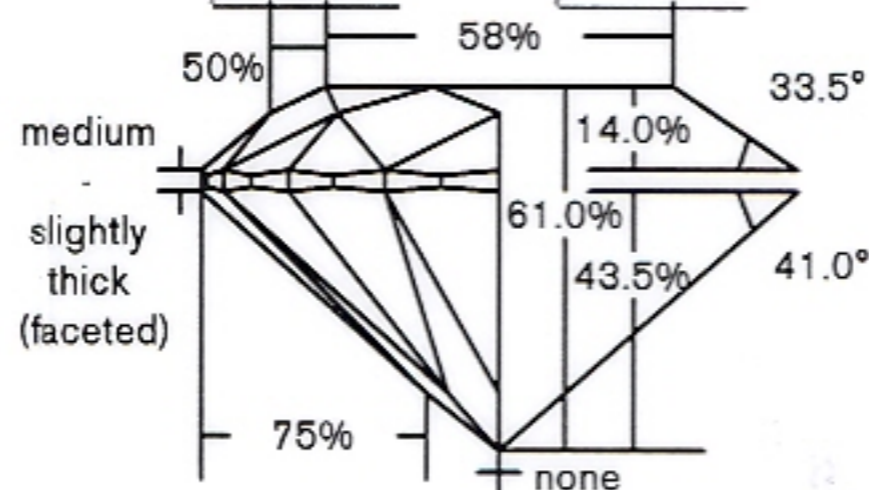
GIA COLOR SCALE		GIA CLARITY SCALE	
COLORLESS	D	VERY VERY SLIGHTLY INCLUDED	FLAWLESS
	E		INTERNALLY FLAWLESS
	F		VVS ₁
NEAR COLORLESS	G	VERY SLIGHTLY INCLUDED	VVS ₂
	H		VS ₁
	I		VS ₂
FAINT	J	SLIGHTLY INCLUDED	SI ₁
	K		SI ₂
	L		I ₁
VERY LIGHT	M	INCLUDED	I ₂
	N		I ₃
	O		
LIGHT	P		
	Q		
	R		
	S		
	T		
	U		
	V		
W			
X			
Y			
Z			

GIA CUT SCALE
EXCELLENT
VERY GOOD
GOOD
FAIR
POOR



569865202

This Report is not a guarantee, valuation or appraisal and contains only the characteristics of the diamond described herein after it has been graded, tested, examined and analyzed by the laboratory providing this Report ("GIA") and/or has been inscribed using the techniques and equipment used by GIA at the time of the examination and/or inscription. Inscriptions reported in this document are not a guarantee, validation, or warranty of a diamond's quality, country of origin or source; or that the diamond will be identifiable by the inscription in the future (since inscriptions can be removed). GIA makes no representation concerning any trademark, word, or symbol which is inscribed by GIA or which is identified on this Report. The recipient of this Report may wish to consult a credentialed jeweler or gemologist about the information contained herein.



Profile to Actual Proportions



The security features in this document, including the hologram, security screen and microprint lines, in addition to those not listed, exceed document security industry guidelines.

IMPORTANT LIMITATIONS ON BACK